

Augusto Betti

Noodle



Dimensions:

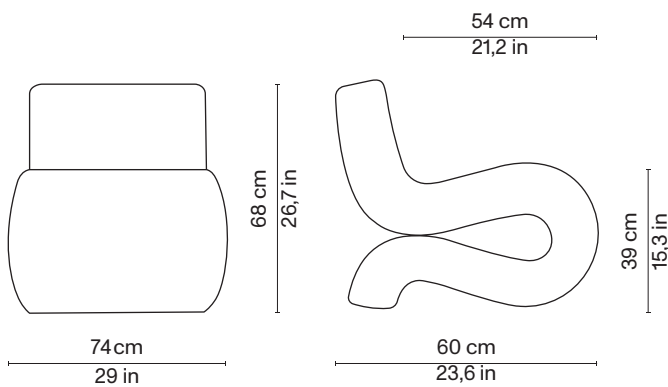
W 74 | D 60 | H 68 cm

W 29 | D 23,6 | H 26,7 in

Materials:

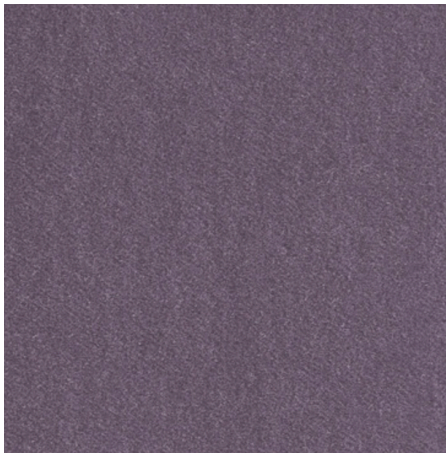
shaped polyurethane, metal and plywood; upholstery in:

- alpaca wool velvet Dedar
- cotton chenille Pierre Frey



Augusto Betti

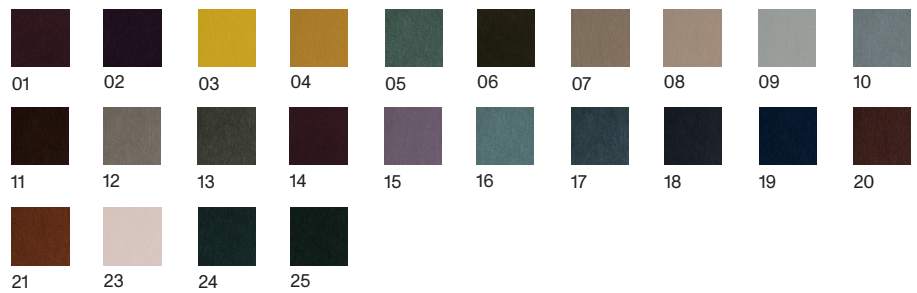
Noodle



Dedar
Alpaca alto wool velvet

Composition:
41% Wool - 28% Alpaca - 16% Cotton - 11% Polyester - 4% Viscose

Available colours:



Special edition

Pierre Frey
Cotton chenille olga

Composition:
84 % Cotton - 7 % Acrylic - 5 % Virgin wool - 2 % Polyamide - 2 % Alpaca