

Calori & Maillard / Kazuhide Takahama

Moi, toi et Le Témoin



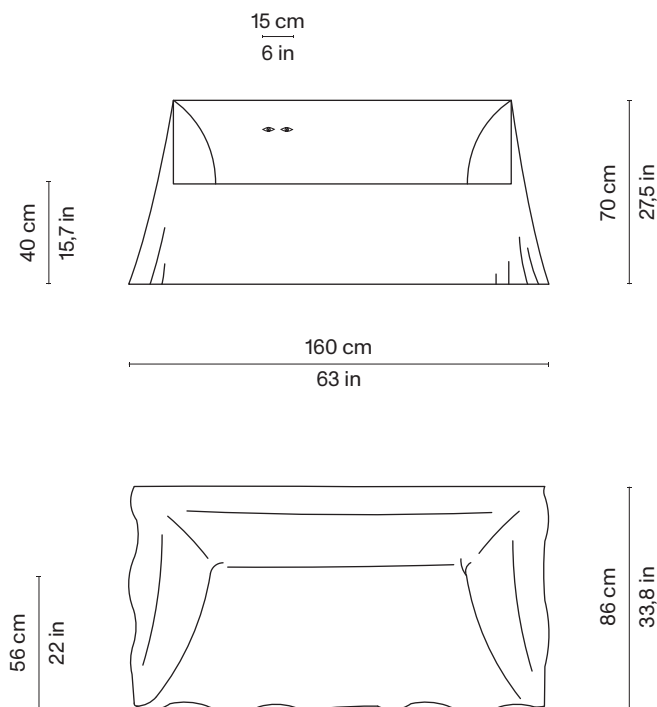
Dimensions:

W160 | D86 | H70 cm

W63 | D33,8 | H27,5 in

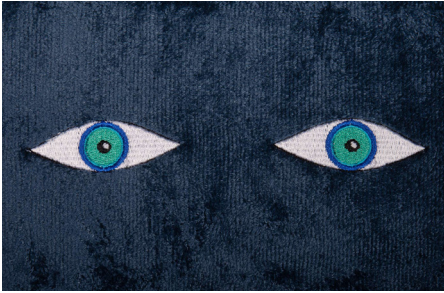
Materials:

plywood base, polyurethane foam structure, chenille velvet cloth with snaps fitting on metal rods inserted into the structure, embroidery



Calori & Maillard / Kazuhide Takahama

Moi, toi et Le Témoin



Chenille velvet, embroidery

Composition:
100% viscose

Available colours:
blue, green, white

