

Augusto Betti

Tea set 75

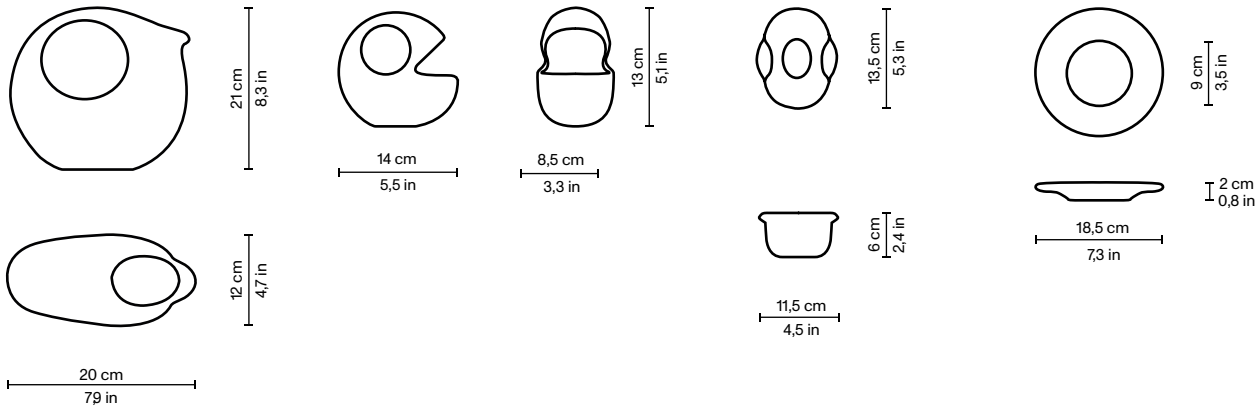


Dimensions:

Box Tea set 75 complete
W 41 | D 34,5 | H 21 cm
W 16,1 | D 13,6 | H 8,3 in

Box 1 cup + 1 saucer
W 23 | D 18 | H 20 cm
W 9,1 | D 7,1 | H 7,9 in

Materials:
enameled pottery



Augusto Betti

Tea set 75



Available colours:
pink, mint green, white

