

Kazuhide Takahama

Mantilla armchair



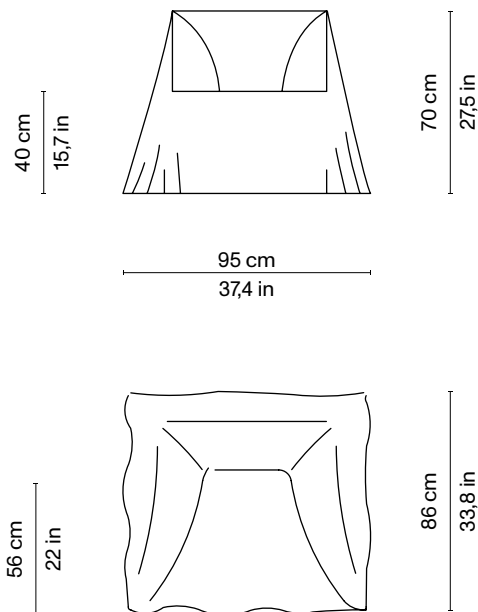
Dimensions:

W95 | D86 | H70 cm

W37,4 | D33,8 | H27,5 in

Materials:

plywood base, polyurethane foam structure, chenille velvet cloth with snaps fitting on metal rods inserted into the structure



Kazuhide Takahama

Mantilla armchair



Chenille velvet

Composition:
100% viscose

Available colours:
blue, green, black, white

