

Pierre Gonalons

All Around chair



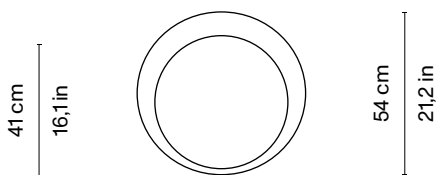
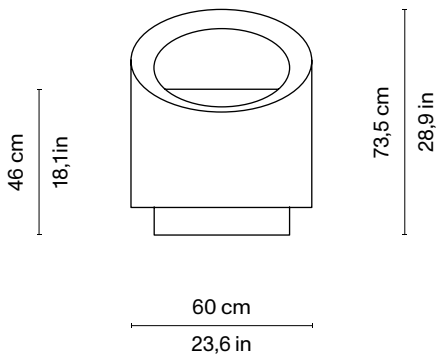
Dimensions:

W60 | D54 | H 73,5cm

W23,6 | D21,2 | H 28,9in

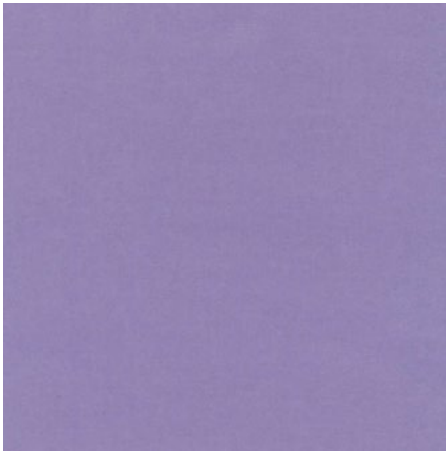
Materials:

plywood base and back, polyurethane foam structure covered with cotton velvet Kvadrat/Raf Simons or with linen cotton Métaphores



Pierre Gonalons

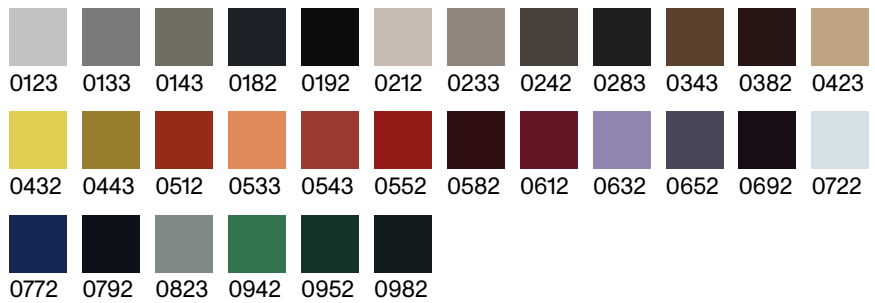
All Around chair



Kvadrat/Raf Simons
Harald 3

Composition:
100% cotton

Available colours:



Métaphores
Spuma

Composition:
42% cotton, 22% linen, 36% viscose

Available colours:

